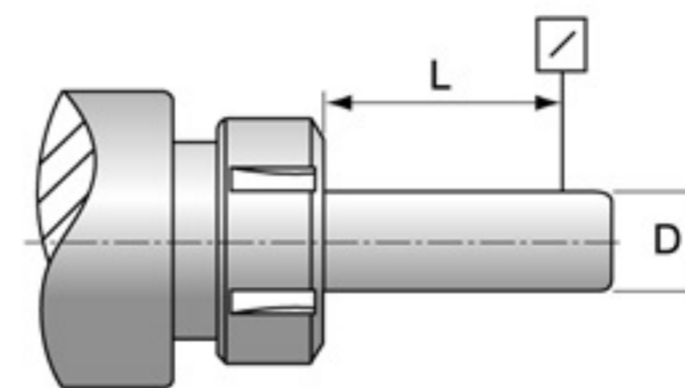
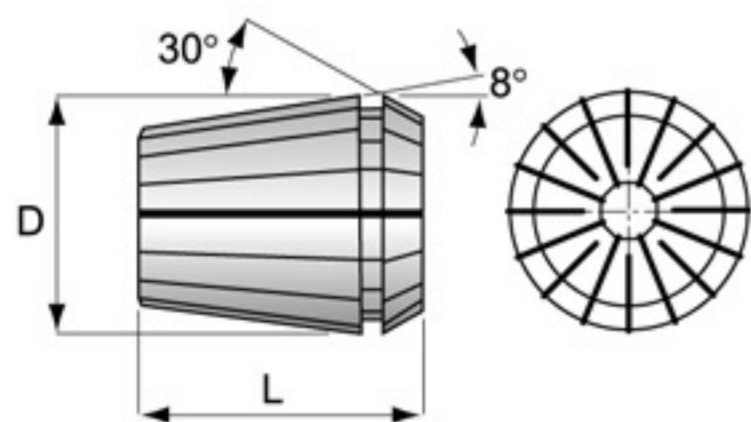




Micro Diameter

ER11		ER20		ER25		ER32		ER40	
Ordering Code	Range (mm)	Ordering Code	Range (mm)	Ordering Code	Range (mm)	Ordering Code	Range (mm)	Ordering Code	Range (mm)
ER11-1.0	1.0-0.5	ER20-2	2-1	ER25-2	2-1	ER32-3	3-2	ER40-4	4-3
ER11-1.5	1.5-1.0	ER20-3	3-2	ER25-3	3-2	ER32-4	4-3	ER40-5	5-4
ER11-2.0	2.0-1.5	ER20-4	4-3	ER25-4	4-3	ER32-5	5-4	ER40-6	6-5
ER11-2.5	2.5-2.0	ER20-5	5-4	ER25-5	5-4	ER32-6	6-5	ER40-7	7-6
ER11-3.0	3.0-2.5	ER20-6	6-5	ER25-6	6-5	ER32-7	7-6	ER40-8	8-7
ER11-3.5	3.5-3.0	ER20-7	7-6	ER25-7	7-6	ER32-8	8-7	ER40-9	9-8
ER11-4.0	4.0-3.5	ER20-8	8-7	ER25-8	8-7	ER32-9	9-8	ER40-10	10-9
ER11-4.5	4.5-4.0	ER20-9	9-8	ER25-9	9-8	ER32-10	10-9	ER40-11	11-10
ER11-5.0	5.0-4.5	ER20-10	10-9	ER25-10	10-9	ER32-11	11-10	ER40-12	12-11
ER11-5.5	5.5-5.0	ER20-11	11-10	ER25-11	11-10	ER32-12	12-11	ER40-13	13-12
ER11-6.0	6.0-5.5	ER20-12	12-11	ER25-12	12-11	ER32-13	13-12	ER40-14	14-13
ER11-6.5	6.5-6.0	ER20-13	13-12	ER25-13	13-12	ER32-14	14-13	ER40-15	15-14
ER11-7.0	7.0-6.5			ER25-14	14-13	ER32-15	15-14	ER40-16	16-15
ER16				ER25-15	15-14	ER32-16	16-15	ER40-17	17-16
ER16-1	1-0.5			ER25-16	16-15	ER32-17	17-16	ER40-18	18-17
ER16-2	2-1					ER32-18	18-17	ER40-19	19-18
ER16-3	3-2					ER32-19	19-18	ER40-20	20-19
ER16-4	4-3					ER32-20	20-19	ER40-21	21-20
ER16-5	5-4							ER40-22	22-21
ER16-6	6-5							ER40-23	23-22
ER16-7	7-6							ER40-24	24-23
ER16-8	8-7							ER40-25	25-24
ER16-9	9-8							ER40-26	26-25
ER16-10	10-9								



Collet Dimensions

Type No. 型號	ER11	ER16	ER20	ER25	ER32	ER40
D	11.5	17	21	26	33	41
L	18	27	31	35	40	46

Concentricity of Collet DIN 6499

D (mm)	D (mm)	DIN 6499		
		Class2	Class1	ClassG
6	1.0-1.4	0.015	0.01	0.005
10	1.5-2.9			
16	3.0-5.9			
25	6.0-9.9			
40	10.0-17.9	0.02	0.015	0.01
50	18.0-26.9			
60	27.0-34.9			